

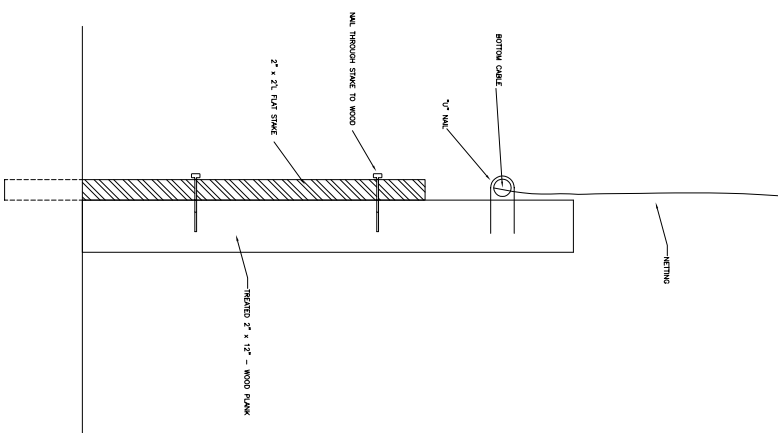
WOOD BORDER DETAILS - OPTION #1

#

- Suspension Clamps** - 3 Bolt Carbonized Strength Suspension Clamp - Model #79106 as sold by A.B. Chance
- Gal. Exchels** - 5/8" dia. Drop Flanged galvanized exchels. 12,400 lb. metal tensile strength. Rural Utilities Service listed
- Through Bolts** - 5/8" dia. galvanized bolt. 12,400 lb. metal tensile strength. Rural Utilities Service listed
- Mini Lead Cables** - 5/16" HHS galvanized piano wire. 1 x 7 construction with a nominal strength of 11,200 lbs.
- Gal. Clips** - 5/16" Galvanized Trussed Board End as sold by Pedernales
- Timbers** - All timbers to be galvanized and meet PF-C-2708 TY II
- Vertical Cables** - 1/2" galvanized aircraft cable clear vinyl coated to 5/16" 7 x 19 construction with a breaking strength of 7,000 lbs.
- Wire Rope Clips** - 1/2" galvanized cable clamp and nuts Fed. Spec. #PF-C-480 TY I C12
- Gal. Rods** - 5/8" dia. x 6' drop flanged galvanized thimble eye guy rods NEMA standard. Has a tensile strength of 16,000 lbs and is Rural Utilities Service listed
- Gal. Washers** - 8 way expanded steel hex nuts
- Fence Rings** - #9 gauge expanded steel hex nuts
- Carbolites** - 5/16" Zinc Plated with a min. 500 lb working load limit

HARDWARE DETAILS

#



WOOD BORDER DETAILS - OPTION #2

#

- Gal/Netting Types**
- *** STANDARD NETTING *****
- #SP-C24** - 2 1/2" Spectral Mesh - High Tenacity Polypropylene Netting - Raschel knitted construction. Netting is heat set, UV stabilized and has a breaking strength of 97 lb. (Independently verified per ISO standard 1806). Netting must have a rope border faced in the netting on all sides. Rope to be a black 3/8" dia. solid braided polypropylene rope cover over a parallel poly core and have a breaking strength of at least 2,200 lbs. Netting has a manufacturer's warranty of 1 year against any manufacturer's defects and carries an expected life span of 5 years.
- *** HEAVY DUTY NETTING *****
- #HKT17** - 1" Polyester Heavy Duty Impact Netting - Raschel knitted construction. Netting is heat set, UV treated and has a breaking strength of 116lb. (Independently verified per ISO standard 1806). Netting must have a rope border faced in the netting on all sides. Rope to be a black 3/8" dia. solid braided polypropylene rope cover over a parallel poly core and have a breaking strength of at least 2,200 lbs. Netting has a manufacturer's warranty of 1 year against any manufacturer's defects and carries an expected life span of 7 years.
- *** EXTENDED LIFE NETTING *****
- #AK1217** - 1" HD30 UV Treated Black - 1" Polyester Heavy Duty Impact Netting - Raschel knitted construction. Netting is heat set, UV treated and has a breaking strength of 169 lb. (Independently verified per ISO standard 1806). Netting must have a rope border faced in the netting on all sides. Rope to be a black 3/8" dia. solid braided polypropylene rope cover over a parallel poly core and have a breaking strength of at least 2,200 lbs. Netting has a manufacturer's warranty of 1 year against any manufacturer's defects and carries an expected life span of 9 years.
- #AW941** - 1" - #694 UV Treated Black - 1" Polyester Heavy Duty Impact Netting - Raschel knitted construction. Netting is heat set, UV treated and has a breaking strength of 182lb. (Independently verified per ISO standard 1806). Netting must have a rope border faced in the netting on all sides. Rope to be a black 3/8" dia. solid braided polypropylene rope cover over a parallel poly core and have a breaking strength of at least 2,200 lbs. Netting has a manufacturer's warranty of 1 year against any manufacturer's defects and carries an expected life span of 9 years.

NETTING OPTIONS

#